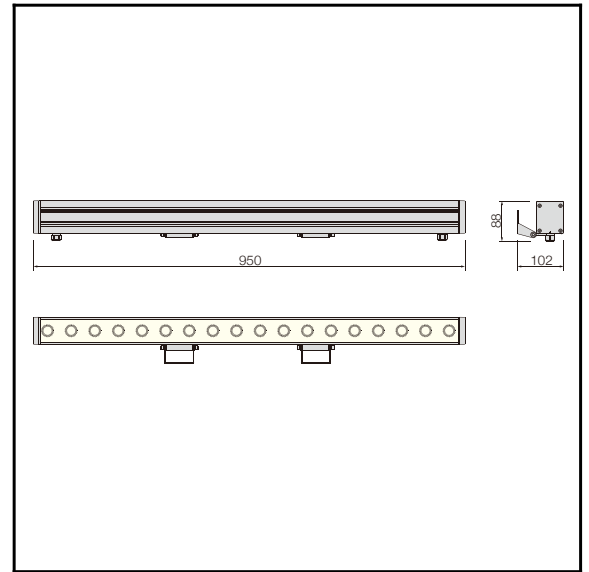




The photograph may not match the reference exactly. Please read the product description to identify the finish.



L-02L

TECHNICAL CHARACTERISTICS

Product Model:	L-02LLED40-18
IP Protection degrees:	IP66
IK Protection degrees:	IK08
Light source:	18 x LED CREE
Total power consumption:	40W
Luminous Flux:	3200Lm
Luminous efficiency:	80Lm/w
Color temperature:	4000K as standard. Optimal 2700K, 3000K & 5700K. Amber LED available
Voltage/Frequency:	100-240V/50-60Hz
Warranty(Years):	3
Units per box:	2
Net Weight(Kg)	3.4



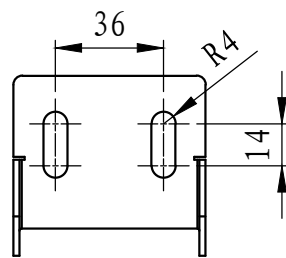
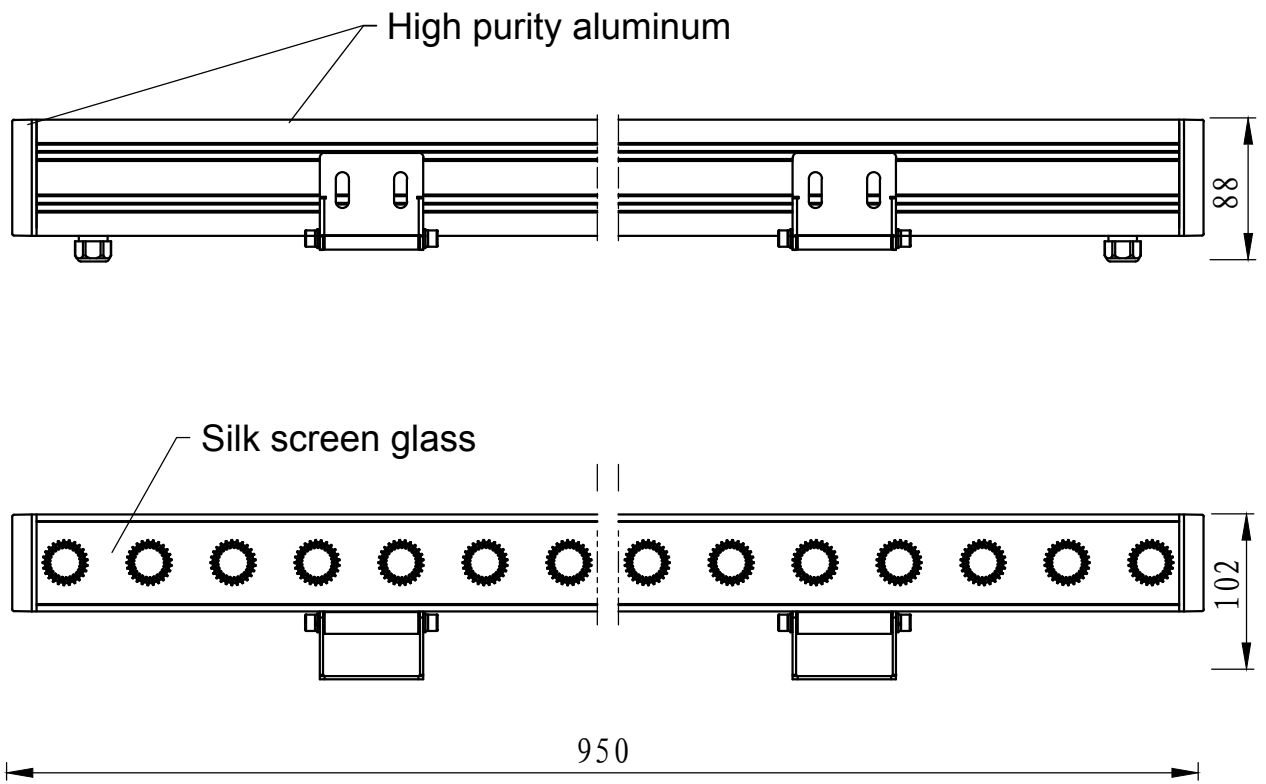
MATERIALS / FINISHES

Structure material: High purity aluminium	aiffuser material: Glass
Structure finish: Grey	Diffuser finish: Transparent

GEAR

Multi-voltage electronic gear included (110-240 V / 50-60 Hz)

Lm^(N): Nominal flow of light in actual working conditions. Its actual flow will depend on the environmental conditions and the efficiency of the optics and/or diffuser.



Installation template

OUTDOOR

